

niftylift



niftylift.com



nifty TM34



40ft 6in
(A)



34ft
(B)



16ft 6in
(C)



2630lbs



500lbs



4%
2.1°



3ft 7in x 2ft 2in



6ft 3in



1.5m
4ft 11in



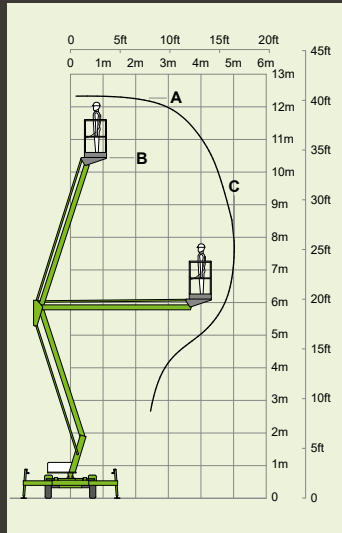
8ft 10in



18ft 10in



Bi-Energy
D P + -





nifty *TM34T*



40ft
(A)



33ft 6in
(B)



20ft
(C)



3110lbs



440lbs



11%
6°



3ft 7in x 2ft 2in



6ft 3in



4ft 11in



11ft 8in



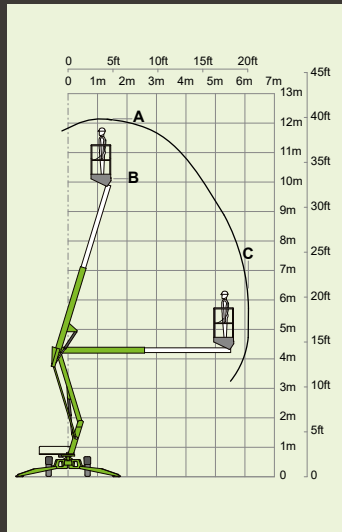
14ft 9in



Option



Bi-Energy





nifty™ TM42T



48ft 6in
(A)



42ft
(B)



25ft
(C)



3990lbs



500lbs



23%
13°



4ft 7in x 2ft 4in



6ft 7in



5ft 3in



12ft 6in



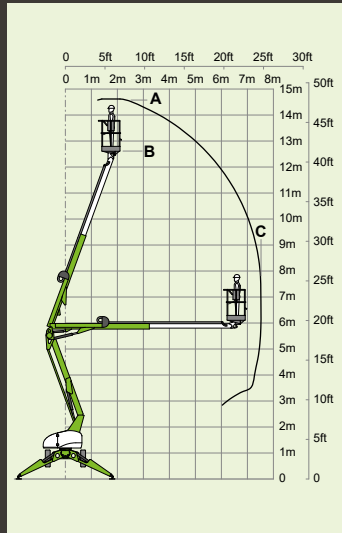
18ft 3in



Option



Bi-Energy





nifty **TM50**



56ft
(A)



49ft 6in
(B)



28ft 6in
(C)



4890lbs



440lbs



14%
8°



3ft 7in x 2ft 2in



7ft



5ft 5in



14ft 5in



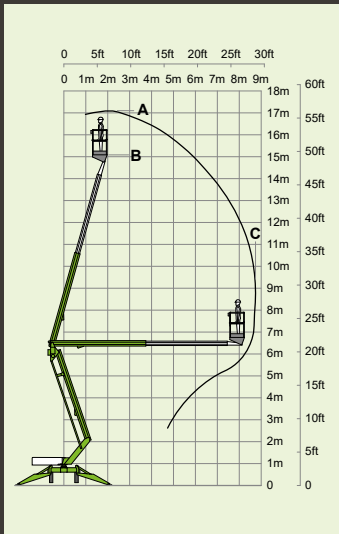
20ft 4in



Option



Bi-Energy





nifty TM64



69ft
(A)



62ft 6in
(B)



39ft 6in
(C)



kg/lb 7610lbs



kg/lb 500lbs



14%
8°



100°



4ft 7in x 2ft 4in



7ft 5in



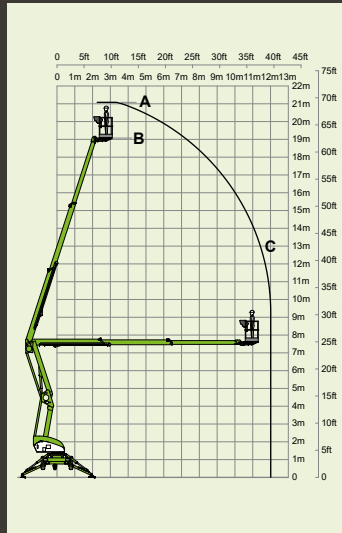
5ft 11in



14ft 1in



22ft 10in





nifty SP34LE



39ft 6in
(A)



33ft
(B)



21ft
(C)



5640lbs



440lbs



3ft 11in x 2ft 9in



6ft 6in



5ft 11in



13ft



3.7mph



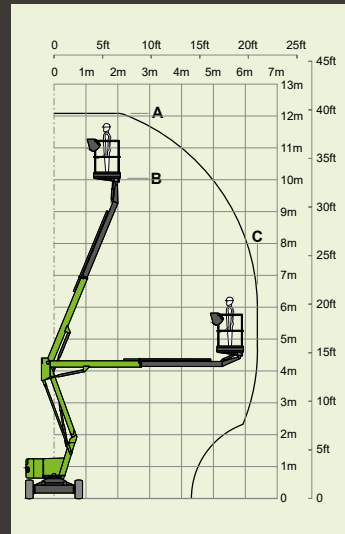
11ft 11in



25%
14°



All-Electric





nifty SP34NE



39ft 6in
(A)



33ft
(B)



21ft
(C)



kg/lb 7210lbs



kg/lb 440lbs



3ft 11in x 2ft 9in



6ft 6in



4ft 11in



13ft



3.7mph



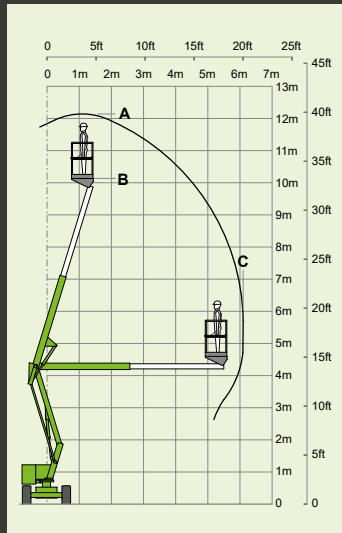
11ft 6in



25%
14°



All-Electric





nifty SP34 4x4



40ft
(A)



33ft 6in
(B)



20ft
(C)



8020lbs



500lbs



3ft 7in x 2ft 2in



6ft 5in



5ft 3in



13ft 5in



2.2mph



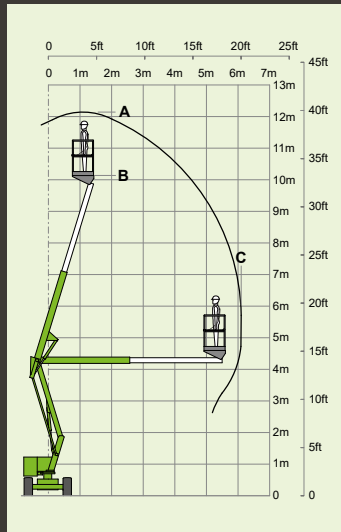
14ft 1in



30%
17°



Bi-Energy





nifty SP45N



51ft
(A)



44ft
(B)



32ft
(C)



15980lbs



500lbs



150°



180°



4ft 11in x 2ft 8in



6ft 6in



4ft 11in



16ft 2in



21ft



2.2mph



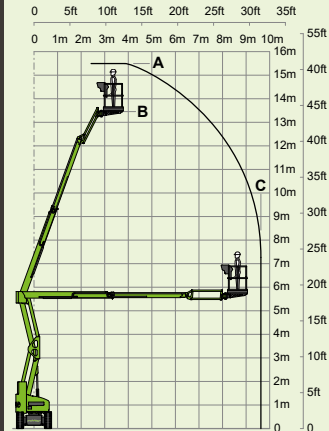
11ft 6in



25%
14°



All-Electric
Hybrid²





nifty SP45E



51ft 6in
(A)



45ft
(B)



31ft
(C)



10320lbs



500lbs



150°



180°



5ft 11in x 2ft 9in



6ft 11in



6ft 7in



15ft 9in



20ft 10in



3.7mph



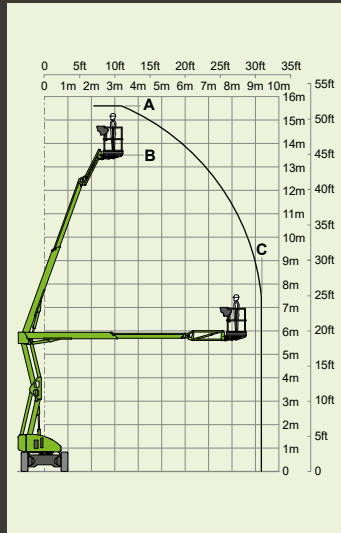
12ft 2in



35%
19°



All-Electric





nifty SP45 4x4



51ft 6in
(A)



45ft
(B)



31ft
(C)



10010lbs*/10800lbs



500lbs



150°



180°



5ft 11in x 2ft 9in



6ft 11in



6ft 7in



15ft 9in



20ft 10in



3.7mph



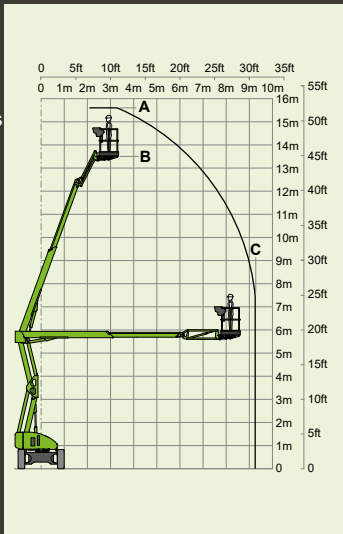
12ft 2in



45%
24°



 **Hybrid²**





nifty SP50N



56ft
(A)



49ft 6in
(B)



32ft
(C)



17220lbs



500lbs



150°



180°



4ft 11in x 2ft 8in



6ft 6in



4ft 11in



16ft 2in



21ft



2.2mph



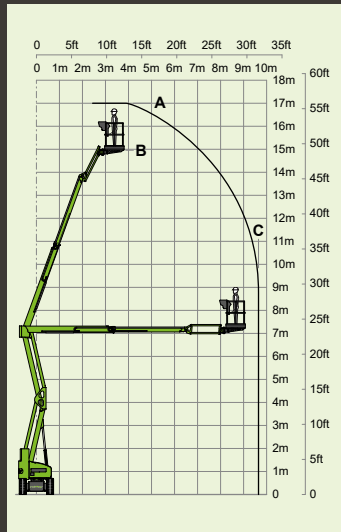
11ft 6in



25%
14°



All-Electric
Hybrid²





nifty SP50E



56ft 6in
(A)



50ft
(B)



31ft
(C)



10960lbs



500lbs



150°



180°



5ft 11in x 2ft 9in



6ft 11in



6ft 7in



15ft 9in



20ft 10in



3.7mph



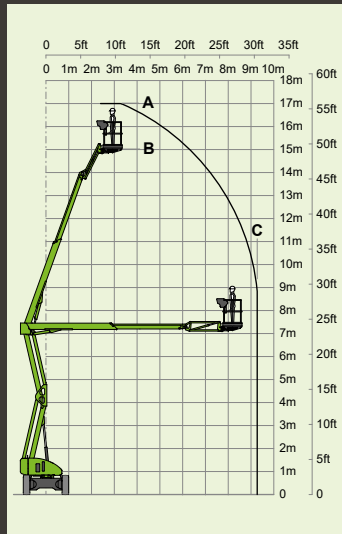
12ft 2in



35%
19°



All-Electric





nifty SP50 4x4



56ft 6in
(A)



50ft
(B)



31ft
(C)



11290lbs



500lbs



150°



180°



5ft 11in x 2ft 9in



6ft 11in



6ft 7in



15ft 9in



20ft 10in



3.7mph



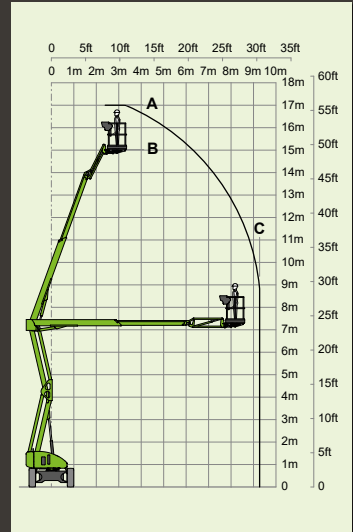
12ft 2in



45%
24°



Hybrid²





nifty SP64E



68ft 6in
(A)



62ft
(B)



42ft 8in
(C)



14730lbs



550lbs



150°



160°



5ft 11in x 2ft 8in



7ft 2in



7ft 5in



17ft 11in



22ft



3.7mph



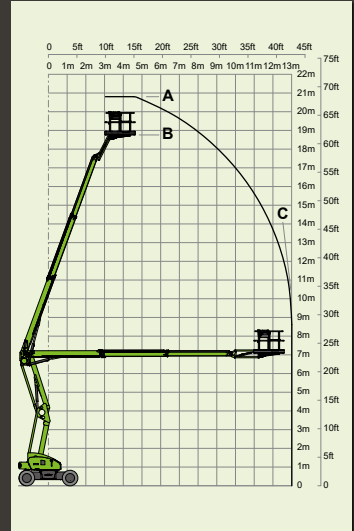
12ft 9in



25%
14°



All-Electric





nifty SP64 4x4



68ft 6in
(A)



62ft
(B)



42ft 8in
(C)



14790lbs



550lbs



150°



160°



5ft 11in x 2ft 8in



7ft 2in



7ft 5in



17ft 11in



22ft



3.7mph



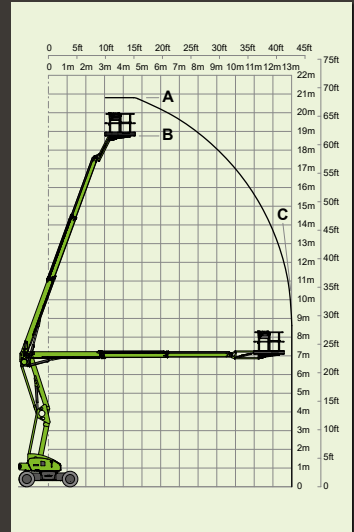
12ft 9in



45%
24°



Hybrid²





nifty SP85 4x4



92ft
(A)



85ft 6in
(B)



62ft
(C)



32080lbs



620lbs



150°



180°



7ft 10in x 2ft 11in



8ft 10in



8ft 2in



23ft 11in



30ft 5in



3mph



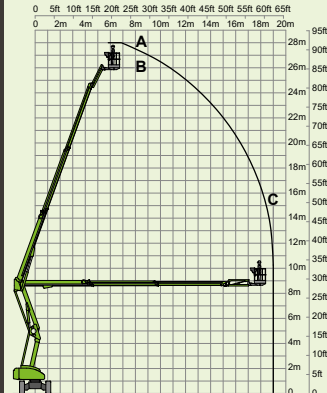
19ft 4in



40%
22°



Hybrid²





nifty SD50 4x4



56ft
(A)



49ft 6in
(B)



28ft 6in
(C)



5950lbs



500lbs



9%
5°



Option



3ft 7in x 2ft 2in



7ft 3in



5ft 3in



14ft 5in



18ft 4in



5.2mph



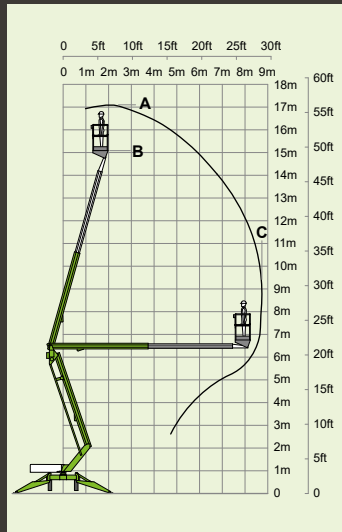
19ft 6in



30%
17°



Bi-Energy





nifty SD64 4x4x4



70ft
(A)



63ft 6in
(B)



42ft
(C)



9170lbs



500lbs



150°



100°



5ft 11in x 2ft 9in



7ft 5in



6ft 9in



13ft 9in



20ft 2in



5.6mph



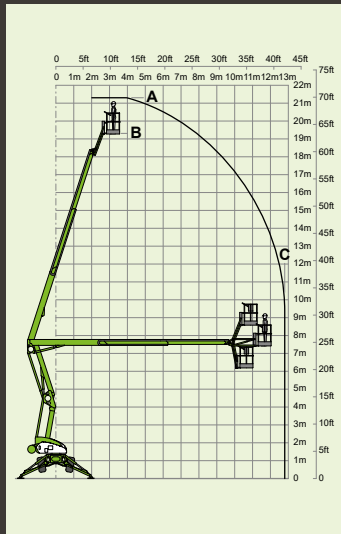
11ft 6in



45%
24°



18%
10°





nifty TD34TN



40ft
(A)



33ft 6in
(B)



20ft
(C)



3990lbs



500lbs



13%
7.2°



3ft 7in x 2ft 2in



6ft 3in



2ft 7in



3ft 9in



9ft 10in



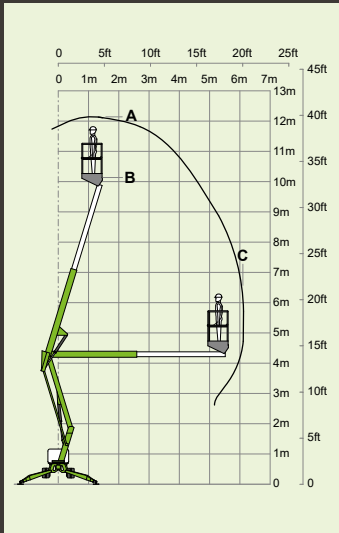
13ft



1mph



60%
31°





nifty TD34T



40ft
(A)



33ft 6in
(B)



20ft
(C)



4080lbs



500lbs



13%
7.6°



3ft 7in x 2ft 2in



6ft 3in



3ft 7in



11ft 8in



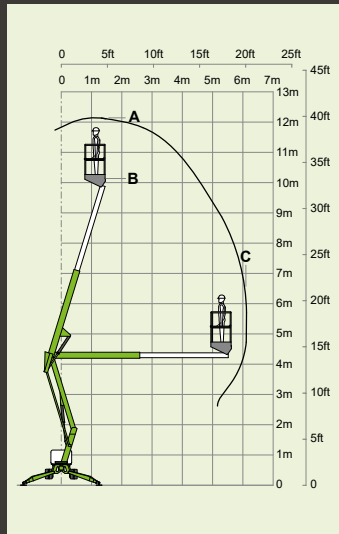
13ft



1mph



60%
31°





nifty TD42T



48ft 6in
(A)



42ft
(B)



25ft
(C)



4390lbs



500lbs



21%
12°



4ft 7in x 2ft 4in



6ft 7in



4ft 7in



12ft 6in



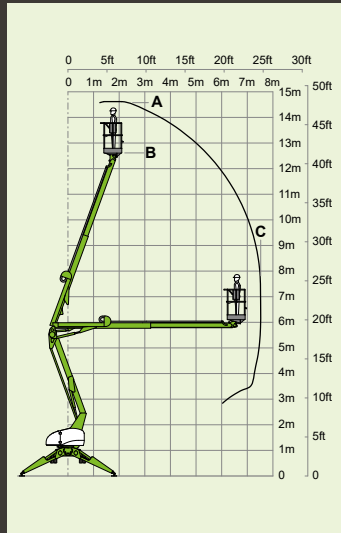
15ft 5in



1.3mph



45%
24°



All-**Electric** 



Gen² **Hybrid** 

Bi-**Energy** 

Niftylink[®]

Tier4^F
 **StageV** 



1.



2.



1. [lb_f]

2. [lb/in² (psi)]

TM34

1836

65

TM34T

2130

42

TM42T

2694

55

TM50

3198

38

TM64

4866

46

1. [lb_f]

2. [lb/in² (psi)]

SD50

3870

50

SD64

5802

67

TD34TN

2694

54

TD34T

2748

55

TD42T

2934

60

1.



2.



	SP34LE	SP34NE	SP34 4x4	SP45N	SP45E	SP45 4x4 Diesel	SP45 4x4 Hybrid
1. [lb _f]	3648	4590	5112	9888	6492	6306	6780
2. [lb/in ² (psi)]	60	67	65	188	113	110	118


	SP50N	SP50E	SP50 4x4	SP64E	SP64 4x4	SP85 4x4
1. [lb _f]	10620	6876	7074	9168	9204	19620
2. [lb/in ² (psi)]	202	120	123	160	160	186

niftylift



Niftylift Inc

1438 S. Buncombe Road,
Greer, SC 29651 USA

 1-800-643-8954

 usasales@niftylift.com

 www.niftylift.com



THE QUEEN'S AWARDS
FOR ENTERPRISE
INTERNATIONAL TRADE
2019



THE QUEEN'S AWARDS
FOR ENTERPRISE:
INNOVATION
2019



All specifications are as guideline only and were correct at time of printing. Those shown in white indicate a standard feature, grey indicates an option. Niftylift reserves the right to change any specification without notice. Weights stated are minimums and vary according to options, please confirm before ordering.

niftylift.com