

## EZ-RAX™

### Scaffold Storage and Transport System



#### Product Description

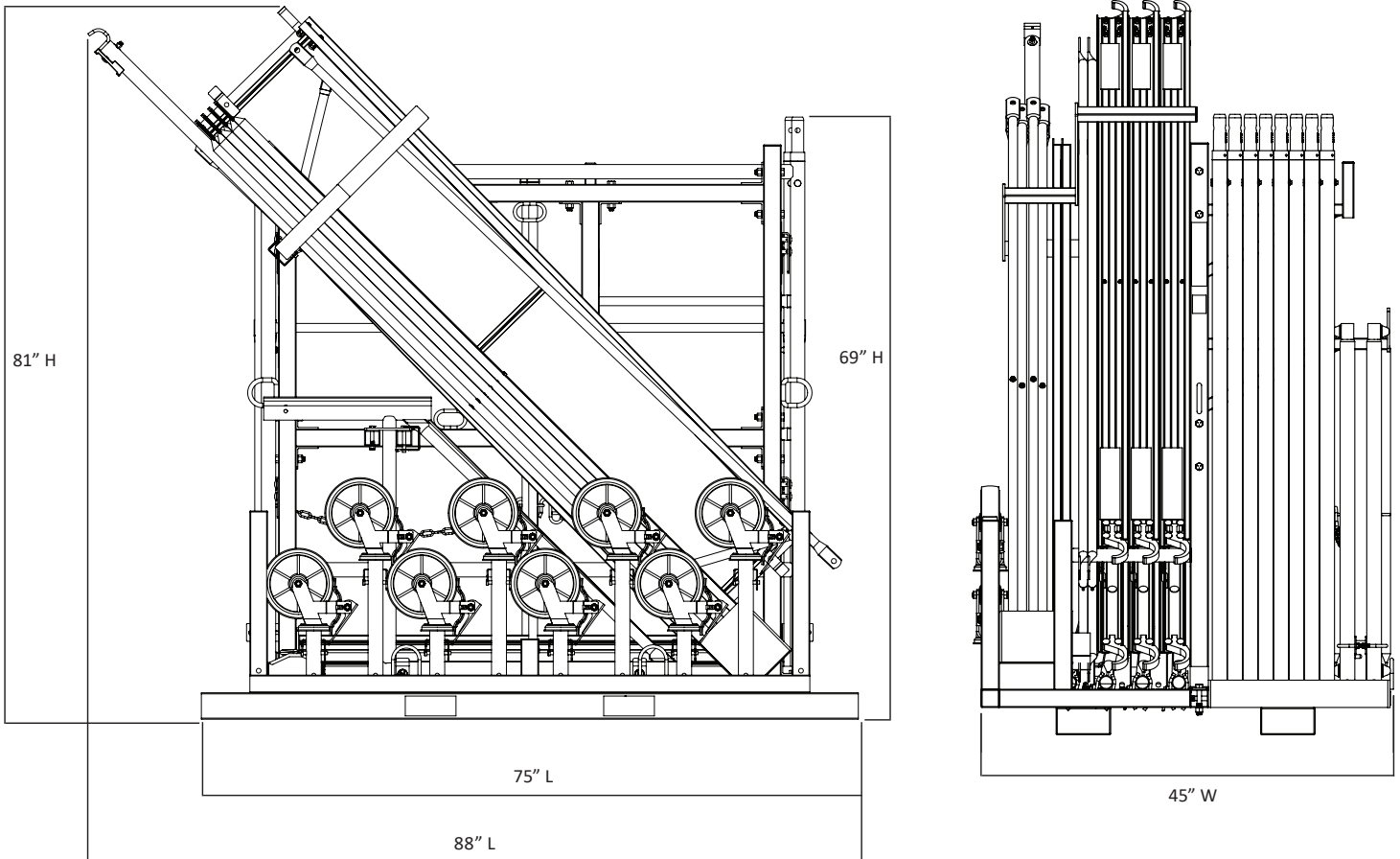
The EZ-RAX was designed for the rental industry. Developed to hold the most requested tower heights, in one complete unit. All components are sent reducing risk. No need to worry about missing pieces upon return. There is a spot for everything. From transporting, storing, and inventory management, we make scaffold rental easy while increasing profits.

#### Features & Benefits

- Holds a 10', 15' or 20' H rolling tower
- Accommodates 7' L walkboards
- Powder coated for durability
- Built-in forklift pockets
- Includes straps and toolbox
- Fits a 6' truck bed
- One SKU to manage

TECHNICAL SPECIFICATIONS

# EZ-RAX



TECHNICAL SPECIFICATIONS	
Dimensions (L x W x H)	75" x 45" x 69"*
Weight	1,111 lb*
Main Material	Steel
Main Finish	Powder coated
Overall Height (loaded)	81"
PART #s	
0110-286A-610	EZ-RAX w/10' H scaffold rolling tower
0110-286A-615	EZ-RAX w/15' H scaffold rolling tower
0110-286A-620	EZ-RAX w/20' H scaffold rolling tower
0110-286A-10	EZ-RAX for a 10' H scaffold rolling tower (unloaded)
0110-286A-15	EZ-RAX for a 15' H scaffold rolling tower (unloaded)
0110-286A	EZ-RAX for a 20' H scaffold rolling tower (unloaded)

\*For 20' H unit.