

niftylift

SP50N



Niftylink®

(A) 56ft



(B) 49ft 6in



(C) 32ft



500lbs



4ft 11in x 2ft 8in



150°



180°



(D) 6ft 6in



(F) 4ft 11in



(H) 16ft 2in



(J) 21ft



2.2mph



11ft 6in



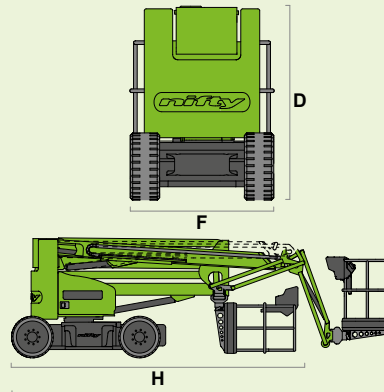
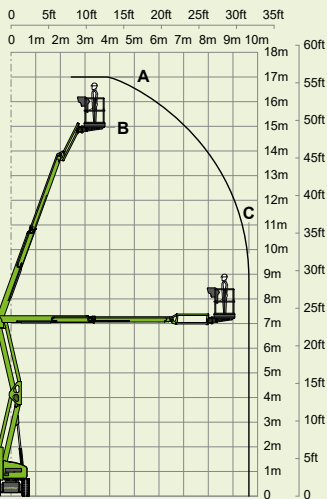
25%
14°



17220lbs

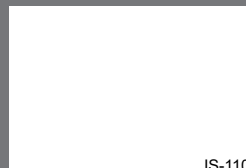


All-Electric
Hybrid²



SiOPS® All-Electric
toughcage Gen² Hybrid
Niftylink®

niftylift
1438 S. Buncombe Road,
Greer, SC - 29651
United States
1-800-643-8954
usasales@niftylift.com
www.niftylift.com



IS-110